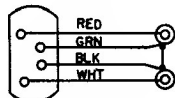
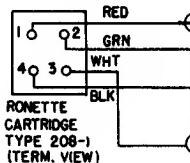


ZENITH Type 2L20 used in Models LPS45J, L

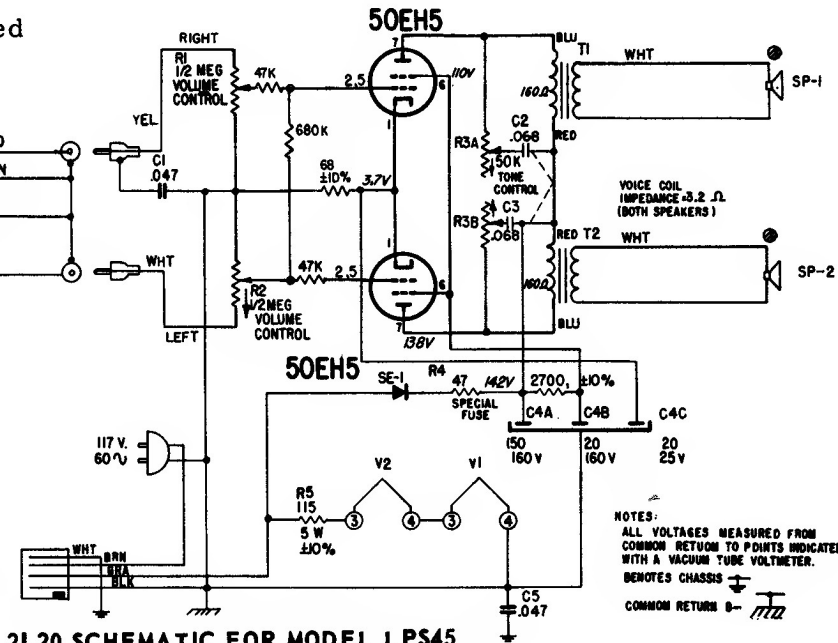
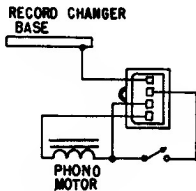


ASTATIC CARTRIDGE
TYPE 70TS
(TERM. VIEW)



RONETTE
CARTRIDGE
TYPE 208-1
(TERM. VIEW)

ALL CAPACITOR VALUES IN MICROFARADS
UNLESS OTHERWISE SPECIFIED.
ALL RESISTORS ARE $\pm 20\%$, $1/2W$
UNLESS OTHERWISE SPECIFIED.



2L20 SCHEMATIC FOR MODEL LPS45